



LEFROY BROOKS

1 8 2 8 T R O U T M A N S T R E E T
R I D G E W O O D N E W Y O R K N Y 1 1 3 8 5 U S A
T: +1(718) 302 5292 F: +1(718) 302 4177

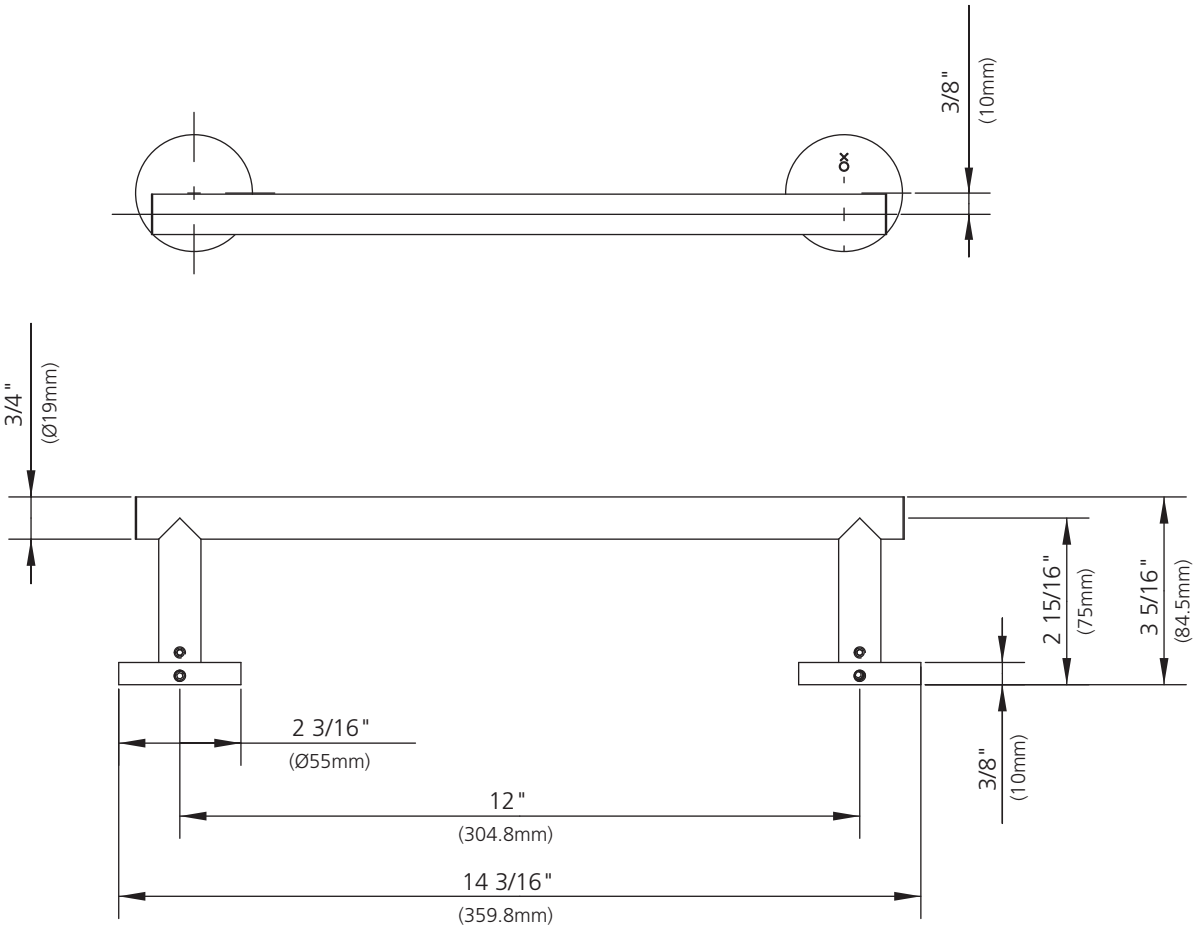
X1-3000

12" TOWEL RAIL

DIMENSIONAL DATA SHEET

DATE: 9 February 2011

No: B9601000



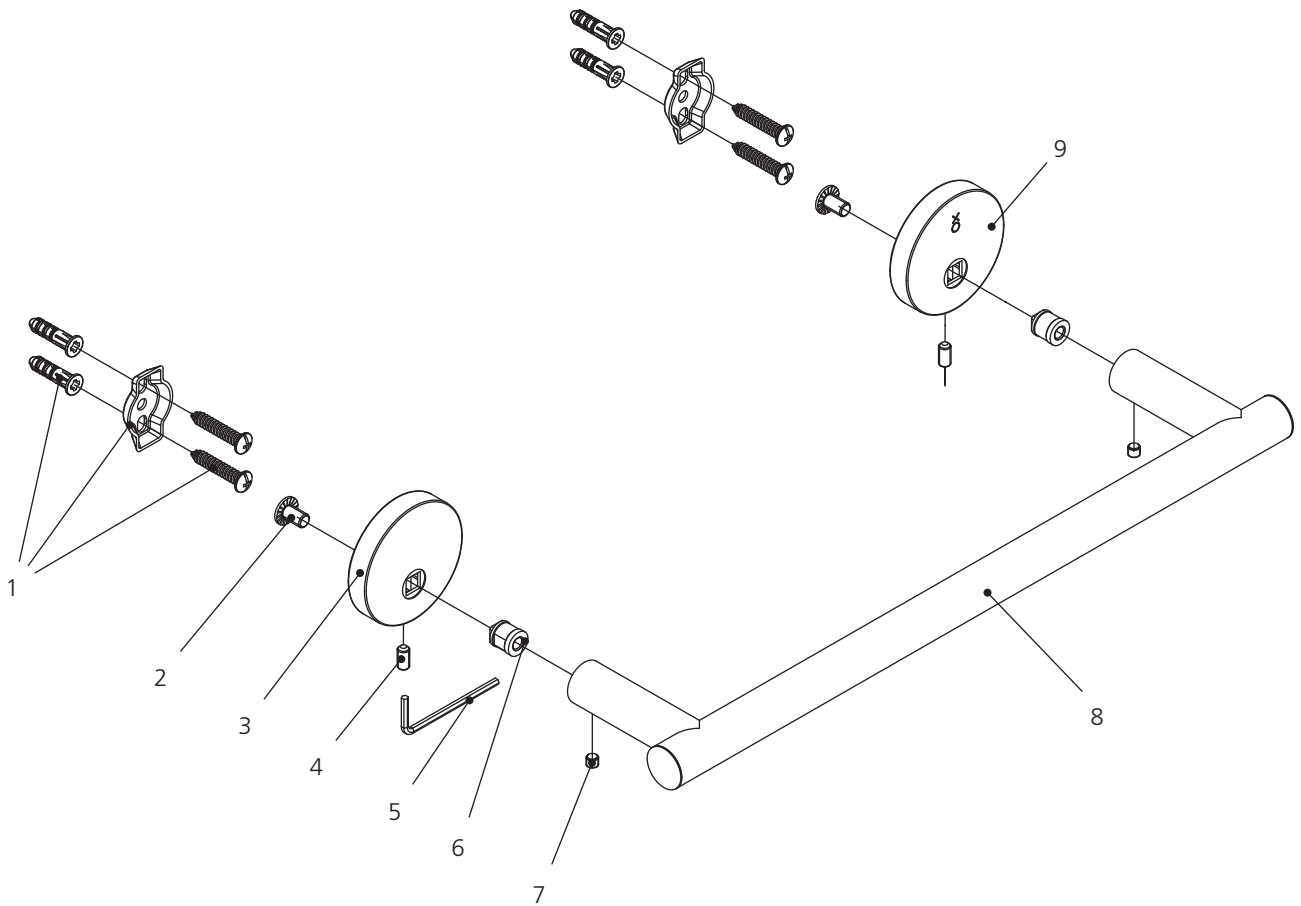
©COPYRIGHT 2009, CHRISTO LEFROY BROOKS. ALL RIGHTS RESERVED.

DIMENSIONS IN INCHES & MILLIMETRES

WHILST EVERY EFFORT IS MADE TO ENSURE THE ACCURACY OF THESE DATA SHEETS THEY ARE SUBJECT TO CHANGE WITHOUT NOTICE AS PART OF THE COMPANY'S PRODUCT DEVELOPMENT PROCESS

X1-3000

12" TOWEL RAIL



- 1 Fixing kit (290033)
- 2 Screw (008711)
- 3 Wall plate (L) (240303H)
- 4 Set screw (053009)
- 5 Allen key (031000)
- 6 Adaptor (259120)
- 7 Screw (008005)
- 8 Rail assembly (250375)
- 9 Wall plate (R) (240303C)